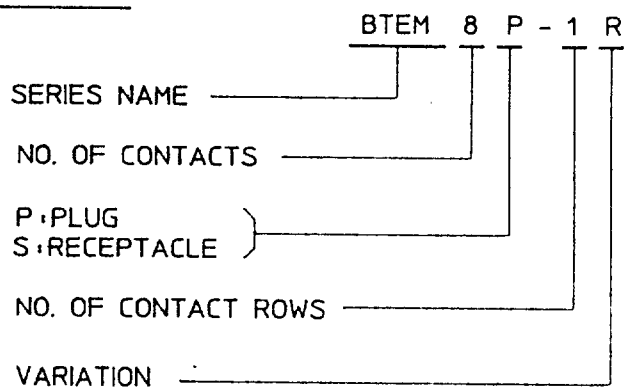


CAT. NO. & DIMENSIONS

NO. OF CONTACTS (n)	PLUG		RECEPTACLE	
	CAT. NO.	DIMENSIONS (NOTE)	CAT. NO.	DIMENSIONS (NOTE)
		A ±0.3		B ±0.3
6	BTEM 6P - 1R	10.00	BTEM 6S - 1S	8.75
7	BTEM 7P - 1R	11.25	BTEM 7S - 1S	10.00
8	BTEM 8P - 1R	12.50	BTEM 8S - 1S	11.25
9	BTEM 9P - 1R	13.75	BTEM 9S - 1S	12.50
10	BTEM10P - 1R	15.00	BTEM10S - 1S	13.75
11	BTEM11P - 1R	16.25	BTEM11S - 1S	15.00
12	BTEM12P - 1R	17.50	BTEM12S - 1S	16.25
13	BTEM13P - 1R	18.75	BTEM13S - 1S	17.50
14	BTEM14P - 1R	20.00	BTEM14S - 1S	18.75
15	BTEM15P - 1R	21.25	BTEM15S - 1S	20.00
16	BTEM16P - 1R	22.50	BTEM16S - 1S	21.25
17	BTEM17P - 1R	23.75	BTEM17S - 1S	22.50
18	BTEM18P - 1R	25.00	BTEM18S - 1S	23.75
19	BTEM19P - 1R	26.25	BTEM19S - 1S	25.00
20	BTEM20P - 1R	27.50	BTEM20S - 1S	26.25

CAT. NO.



REF. DWG. (NOTE)

PLUG : JSA90146
RECEPTACLE : JSA90147

NOTE

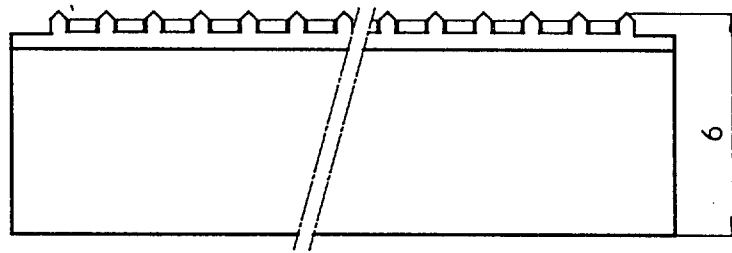
SEE REF. DWG.

			SCALE	∞	BOARD MATE
			DIM. IN	mm	CAT. NO.
			DESIGNED		BTEM __ P - 1R / BTEM __ S - 1S
REV.	DATE	DESCRIPTION	CKD.	DRAWN	DRAWING NO.
				<i>M. Oka</i>	JSA 90150
MATERIAL			CHECKED	<i>T. Nishimoto</i>	REV.
			APPROVED	<i>A. NAKAI</i>	0
			DATE	<i>Dec. 28, 1988</i>	

BURNDY
JAPAN, Ltd.

FILE

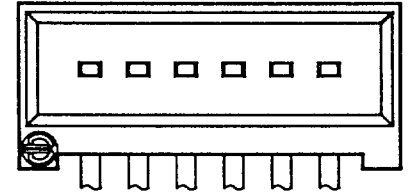
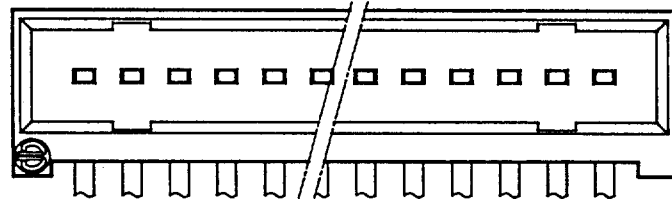
TOLERANCES
UNLESS OTHERWISE SPECIFIED : ±0.3



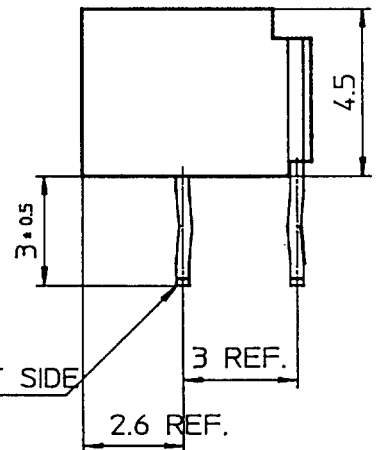
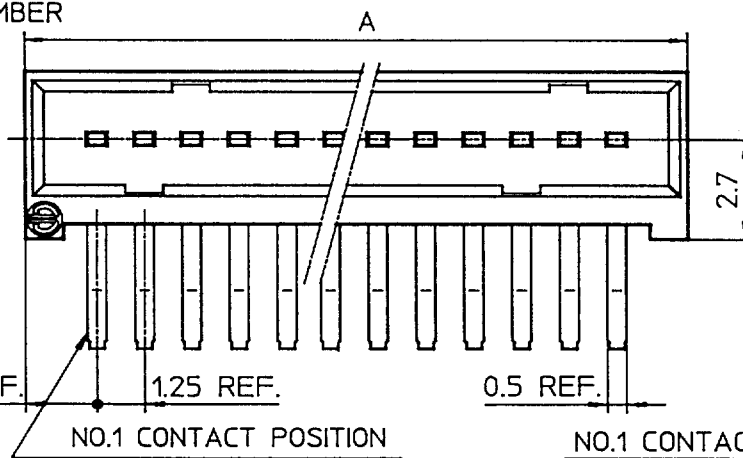
n : NO. OF CONTACTS

ODD NUMBER

n = 6 MAX.



EVEN NUMBER



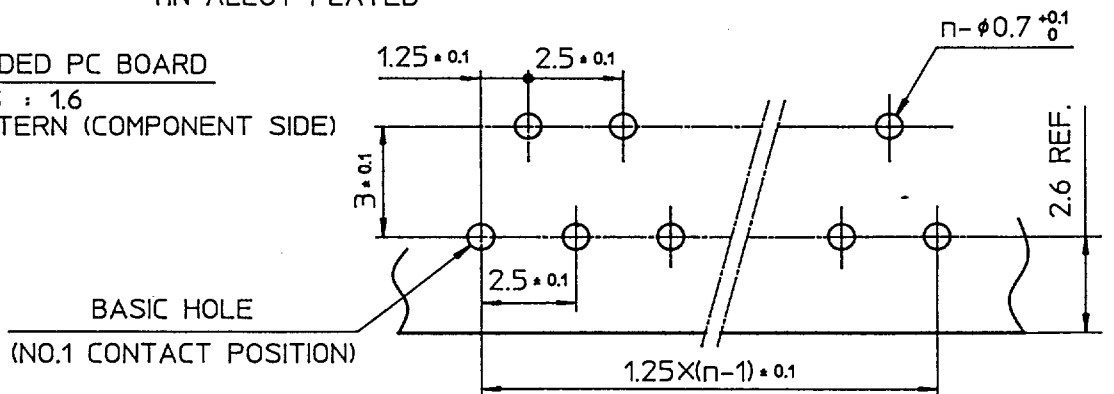
MATERIAL

INSULATOR : PBT RESIN GLASS REINFORCED (UL94V-0)
COLOR : BLACK

CONTACT : BRASS
TIN ALLOY PLATED

RECOMMENDED PC BOARD

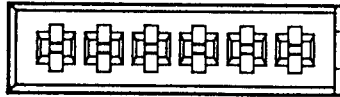
THICKNESS : 1.6
HOLE PATTERN (COMPONENT SIDE)



				SCALE	×	BOARD MATE	
				DIM. IN	mm	CAT. NO.	
1	'94 6-29	SHAPE ADDED. φ1.0 (NO. OF CONTACTS : 6 MAX.)	LD	DESIGNED		BTEM __ P - 1R	
REV.	DATE	DESCRIPTION	CKD.	DRAWN	M. Oba	DRAWING NO.	REV.
MATERIAL				CHECKED	T. Nishimoto	JSA 90146	1
				APPROVED	A. NAKA		
				DATE	Dec. 28, 1988		

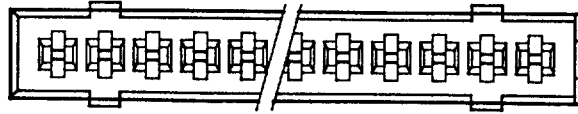
TOLERANCES
UNLESS OTHERWISE SPECIFIED : ±0.3

n = 6 MAX.

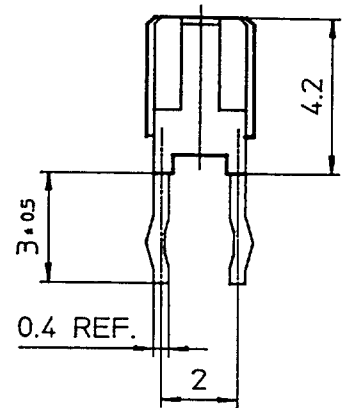
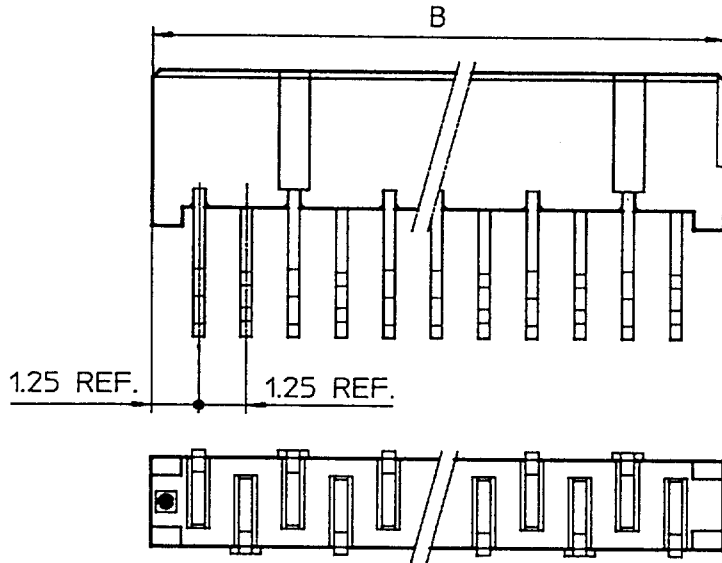
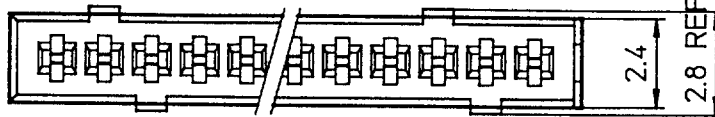


n : NO. OF CONTACTS

ODD NUMBER



EVEN NUMBER

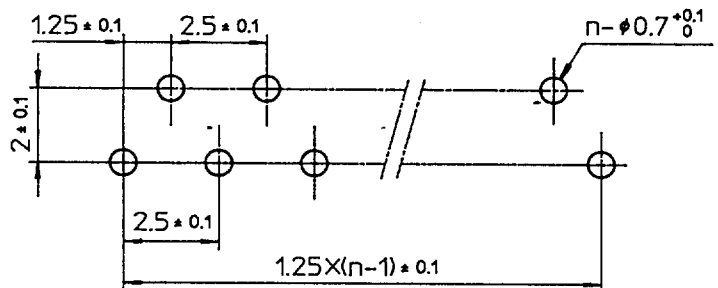


MATERIAL

INSULATOR : PBT RESIN GLASS REINFORCED (UL94V-0)
COLOR : BLACK
CONTACT : PHOSPHOR BRONZE
TIN ALLOY PLATED

RECOMMENDED PC BOARD

THICKNESS : 1.6
HOLE PATTERN (COMPONENT SIDE)



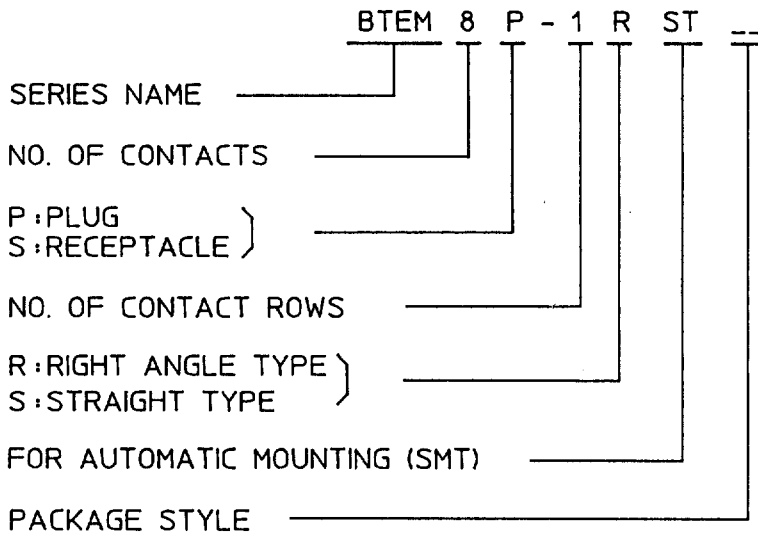
				SCALE	×	BOARD MATE
				DIM. IN	mm	CAT. NO.
1	'94 6-29	SHAPE ADDED. M.O. (NO. OF CONTACTS : 6 MAX.)	S. J.	DESIGNED		BTEM __ S - 1S
REV.	DATE	DESCRIPTION	CKD.	DRAWN	M. Oga	DRAWING NO.
MATERIAL				CHECKED	T. Nishimoto	JSA 90147
				APPROVED	A. NAKAI	1
				DATE	Dec. 28, 1988	

BURNDY
JAPAN, Ltd.

CAT. NO. & DIMENSIONS


NO. OF CONTACTS (n)	PLUG		RECEPTACLE	
	CAT. NO.	DIMENSIONS (NOTE)	CAT. NO.	DIMENSIONS (NOTE)
		A ±0.3		B ±0.3
9	BTEM 9P - 1RST__	14.55	BTEM 9S - 1S	12.50
17	BTEM17P - 1RST__	24.55	BTEM17S - 1S	22.50
19	BTEM19P - 1RST__	27.05	BTEM19S - 1S	25.00
20	BTEM20P - 1RST__	28.30	BTEM20S - 1S	26.25

CAT. NO.



NOTE.

SEE REF. DWG.

				SCALE	×	1.25mm SPACING CONNECTOR FOR BOARD TO BOARD	
				DIM. IN	mm	CAT. NO.	
1	Feb. 18, '97	PRODUCT NAME CHANGED. M.I	KA	DESIGNED		BTEM __ P - 1RST__ / BTEM __ S - 1S	
REV.	DATE	DESCRIPTION	CKD.	DRAWN	M.Oba	DRAWING NO.	REV.
MATERIAL				CHECKED	M.Harada	JSA 92885	1
				APPROVED	S.Ito	 FRAMATOME CONNECTORS JAPAN LTD.	
				DATE	Jul 29, 1994		